



Application: Public Building

Location: Manchester

System: Standard Modular Ramp

Service Package: Supply & Install

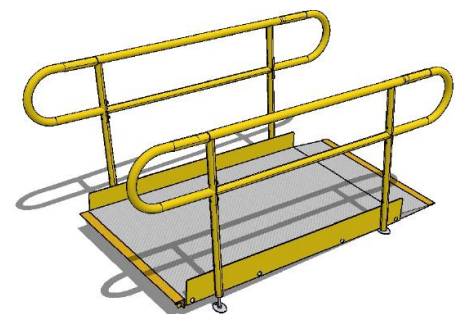
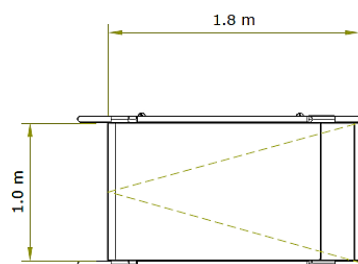
CASE STUDY: Hathersage Road Car Park, Manchester Royal Infirmary

BACKGROUND: Patients, staff, and visitors for the Oxford Road site of Manchester Royal Infirmary use the linking Hathersage Road Car Park daily.

REQUIREMENT: A compact internal ramp for the level 2 and level 7 entrances.

ADDITIONAL INFORMATION: CAD drawings were produced and supplied to the client with their quotation.

PLAN



END RESULT: Two small internal ramps with bespoke yellow handrails and a 1:15 gradient were installed within a few hours.

Our ramps come in components that were small enough to be carried into the carpark lift and onto the levels.

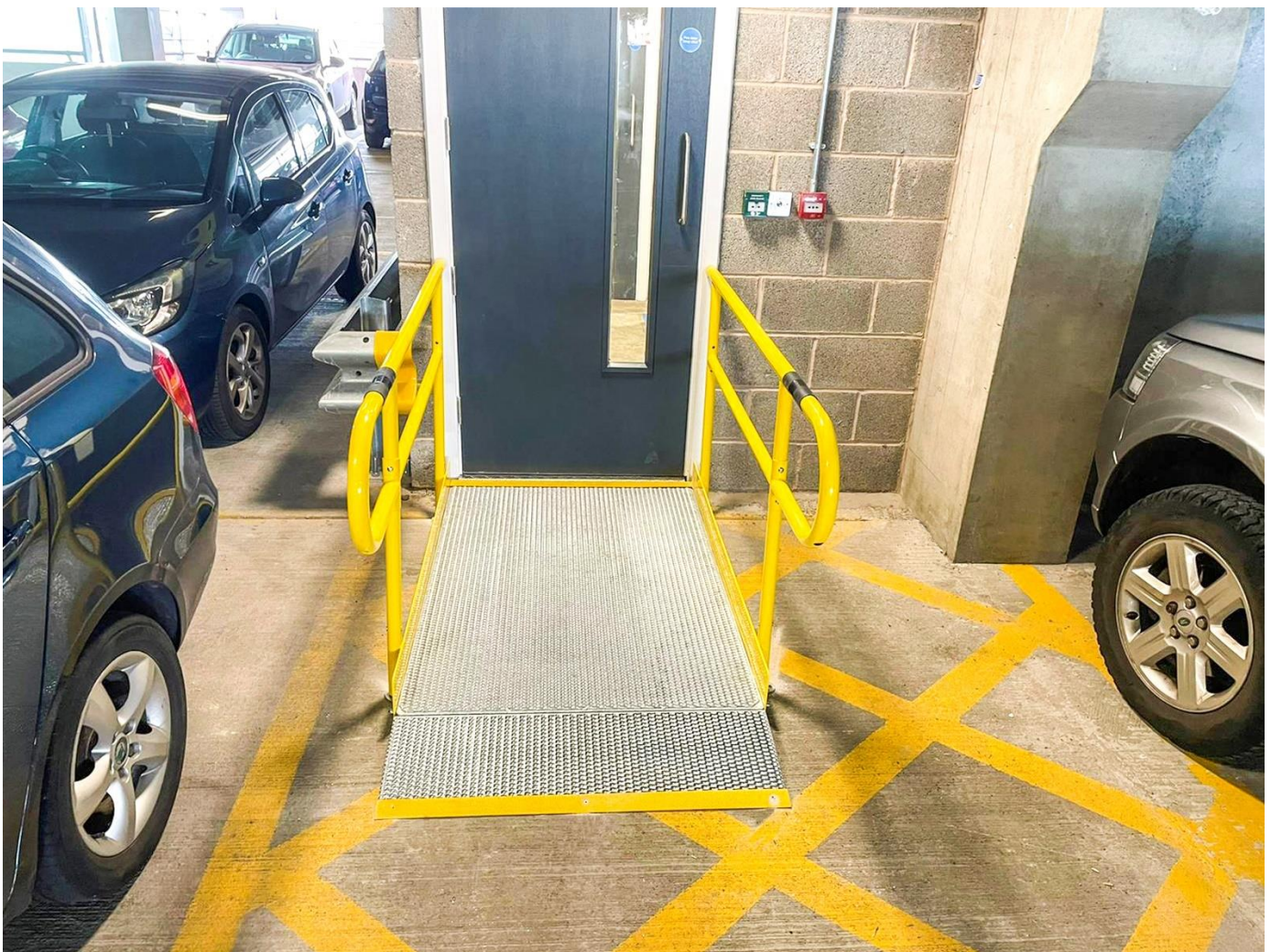
The ramp feet were bolted into the ground to keep the systems securely in place.

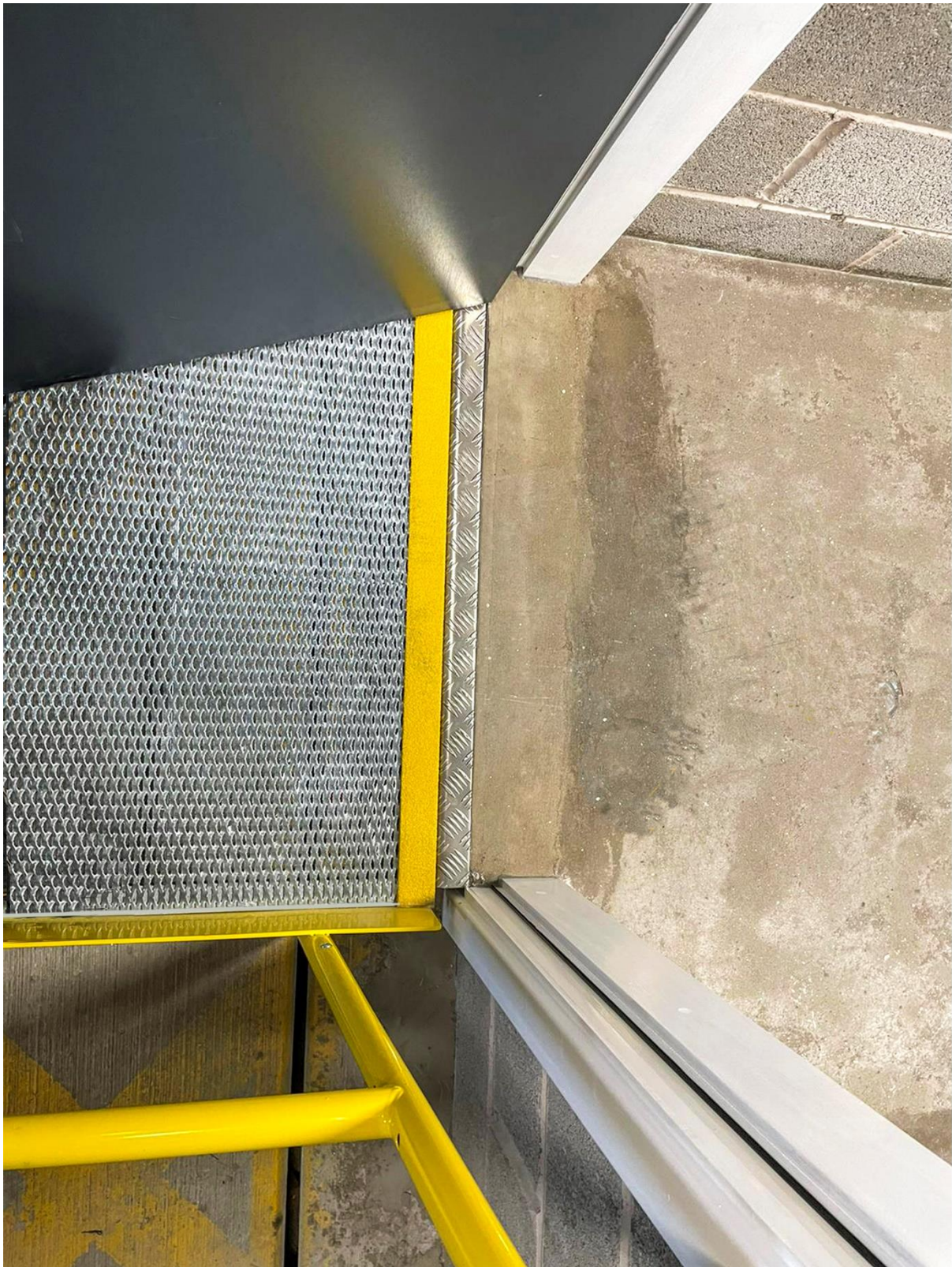
FEATURES INCLUDED:

- Standard Handrail - this handrail system ensures users always have support to hold onto.
- Trombone Ends - these are added to the ends of a Rapid Ramp to prevent clothes catching.
- Mesh Platform - the self-draining mesh allows water to pass through rather than collect on the surface.
- Powder coated Finish – rails are coated with thermosetting powder to provide a non-conductive, non-slip and scratch resistant surface.
- Telescopic Legs - these can be adjusted to accommodate different threshold heights.

EXTRA FEATURE INCLUDED:

- Yellow Powdercoated Handrails – yellow is one of the easiest colours to see because of its ability to reflect light.
- Yellow Tread - this is a safety feature designed to help those with impaired vision identify the nose of the ramp and level changes.





THE EXPERTS IN MODULAR RAMPS

TEL: **01424 714646**
EMAIL: **SALES@RAPIDRAMP.CO.UK**

Hours:
Open 8am - 5pm, Monday to Friday

Address:
10 Menzies Road, Ponswood Industrial Estate, St Leonards on Sea, East Sussex TN38 9BB

Do you require wheelchair
ramps and steps?

Contact our sales team